

FIG. 1

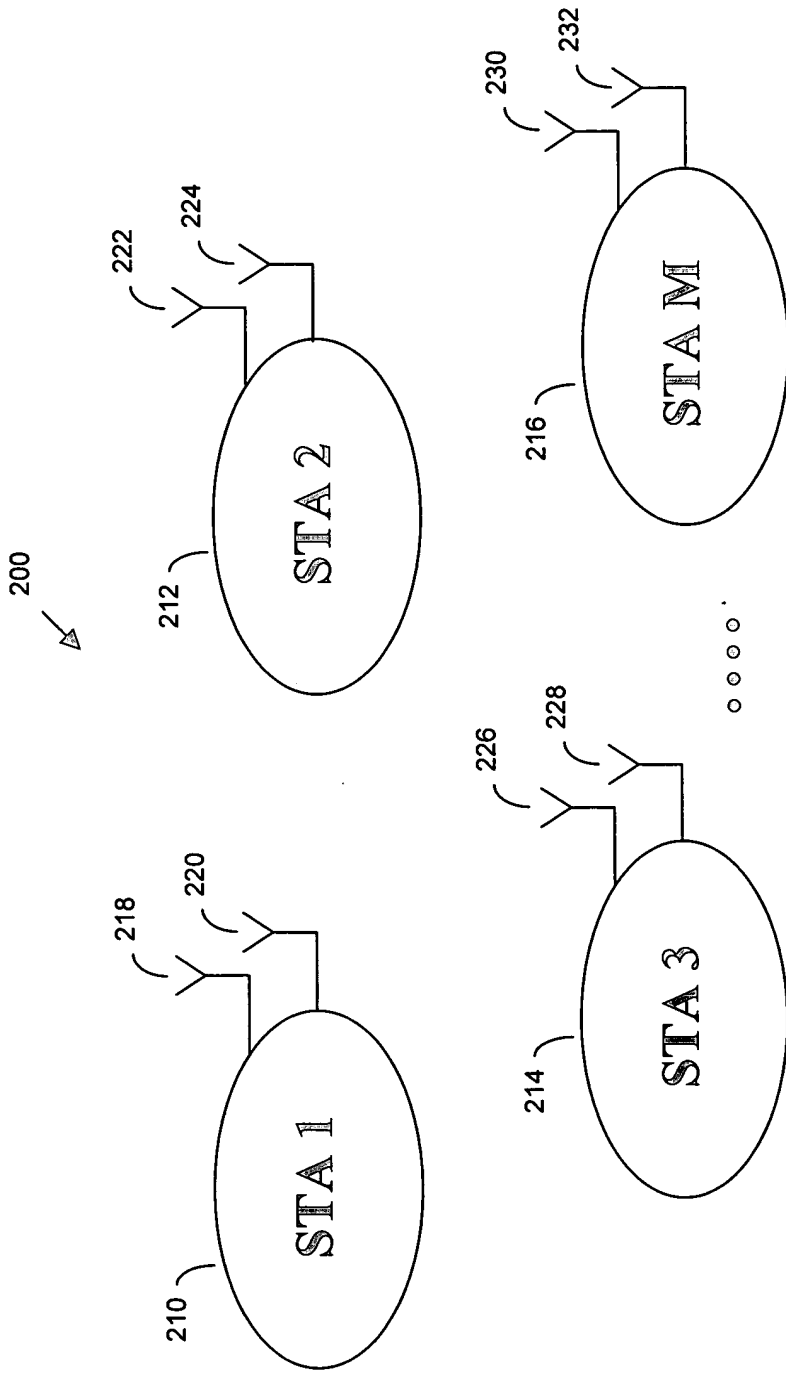


FIG. 2

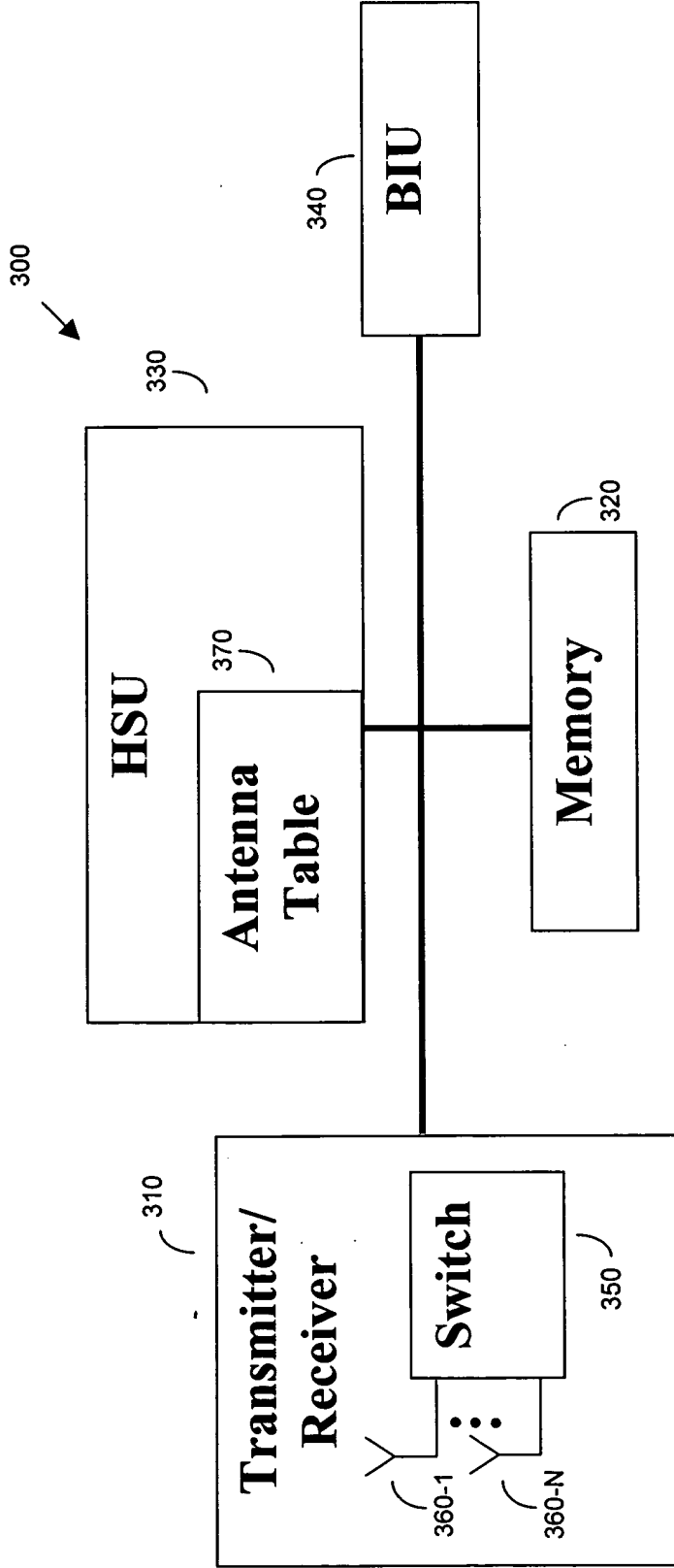


FIG. 3

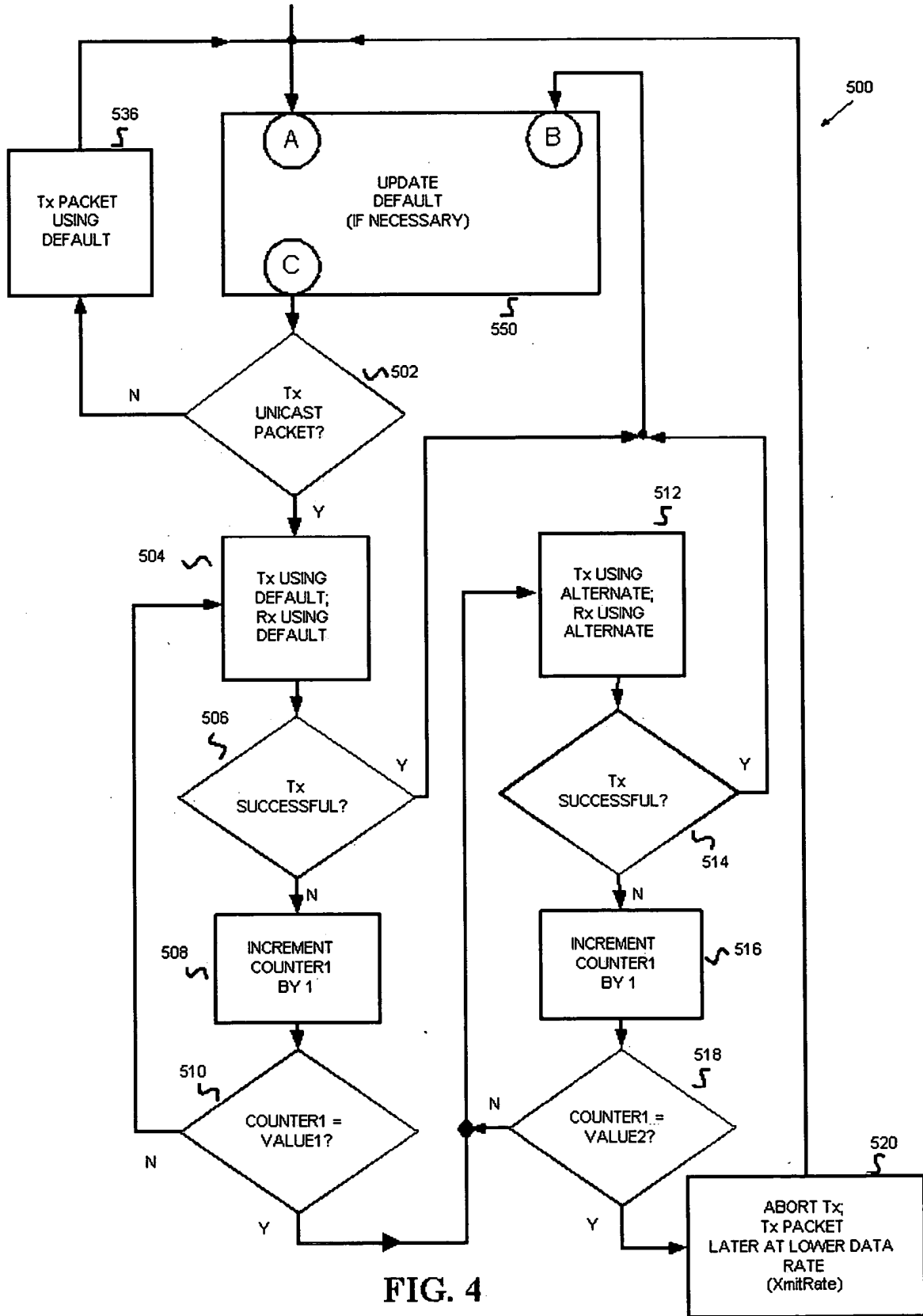


FIG. 4

FIG. 4

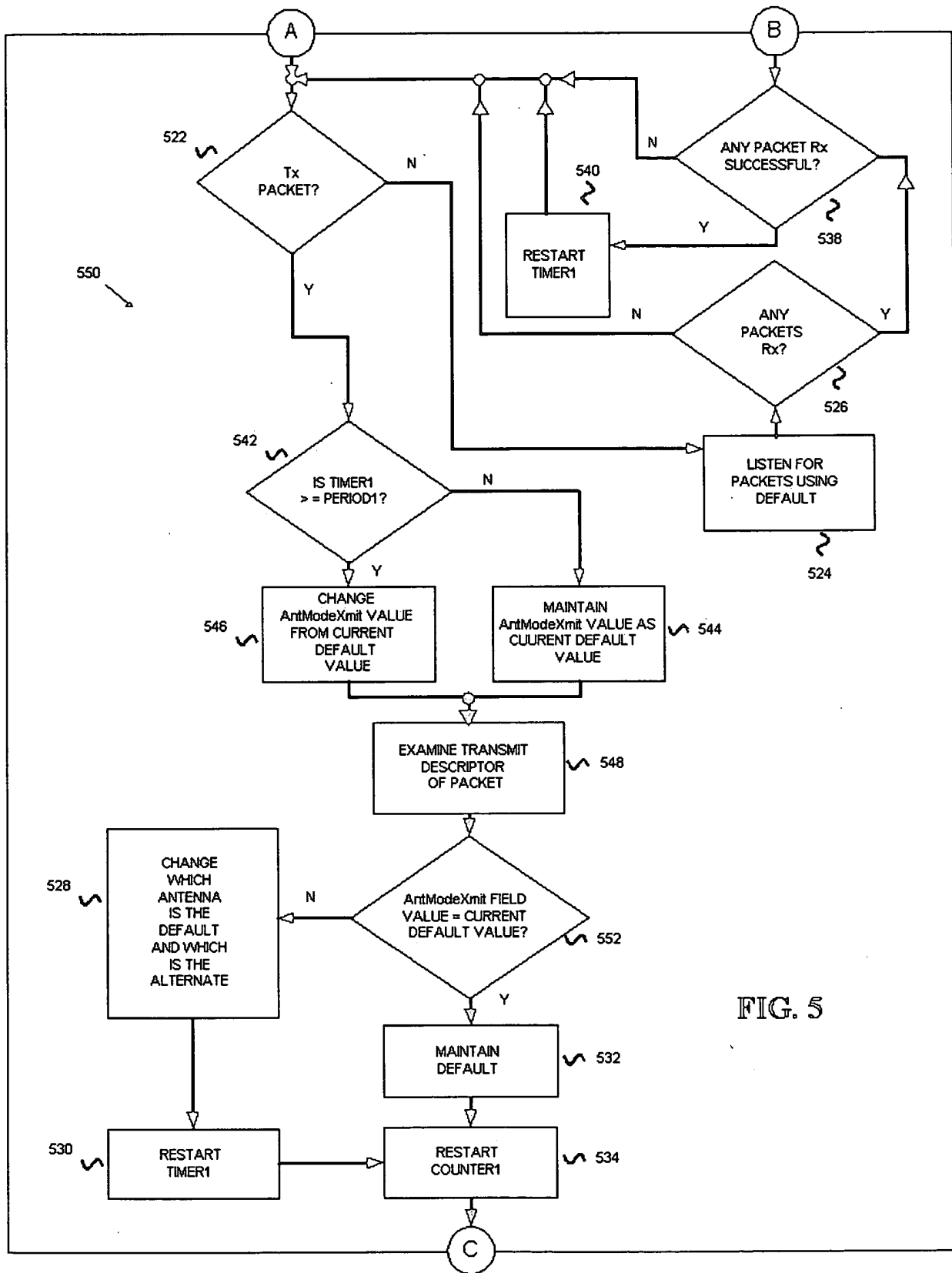


FIG. 5

"METHOD AND SYSTEM FOR PROVIDING ANTENNA DIVERSITY"

600

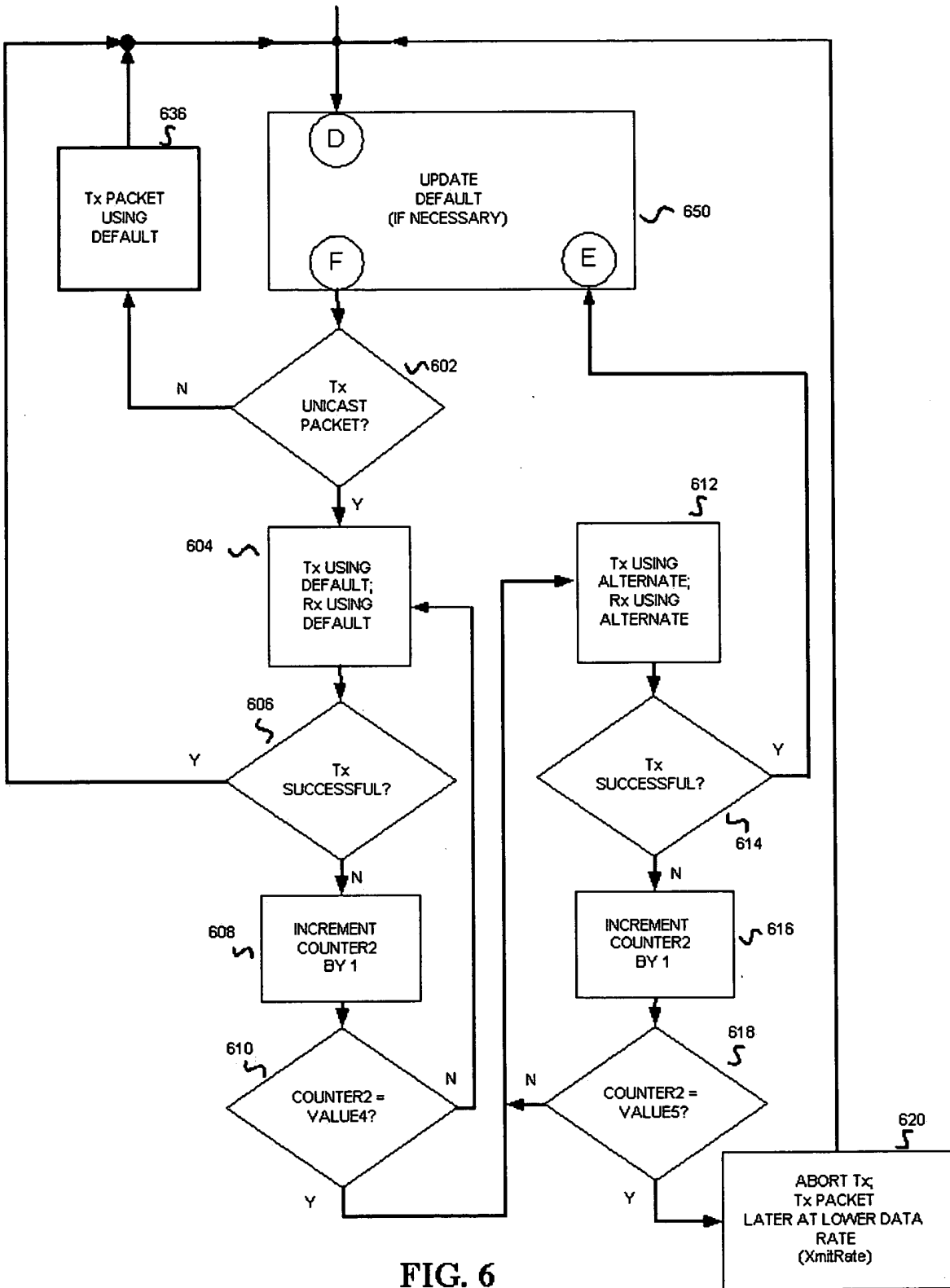


FIG. 6

"FIG. 6" 600

"6202E860"

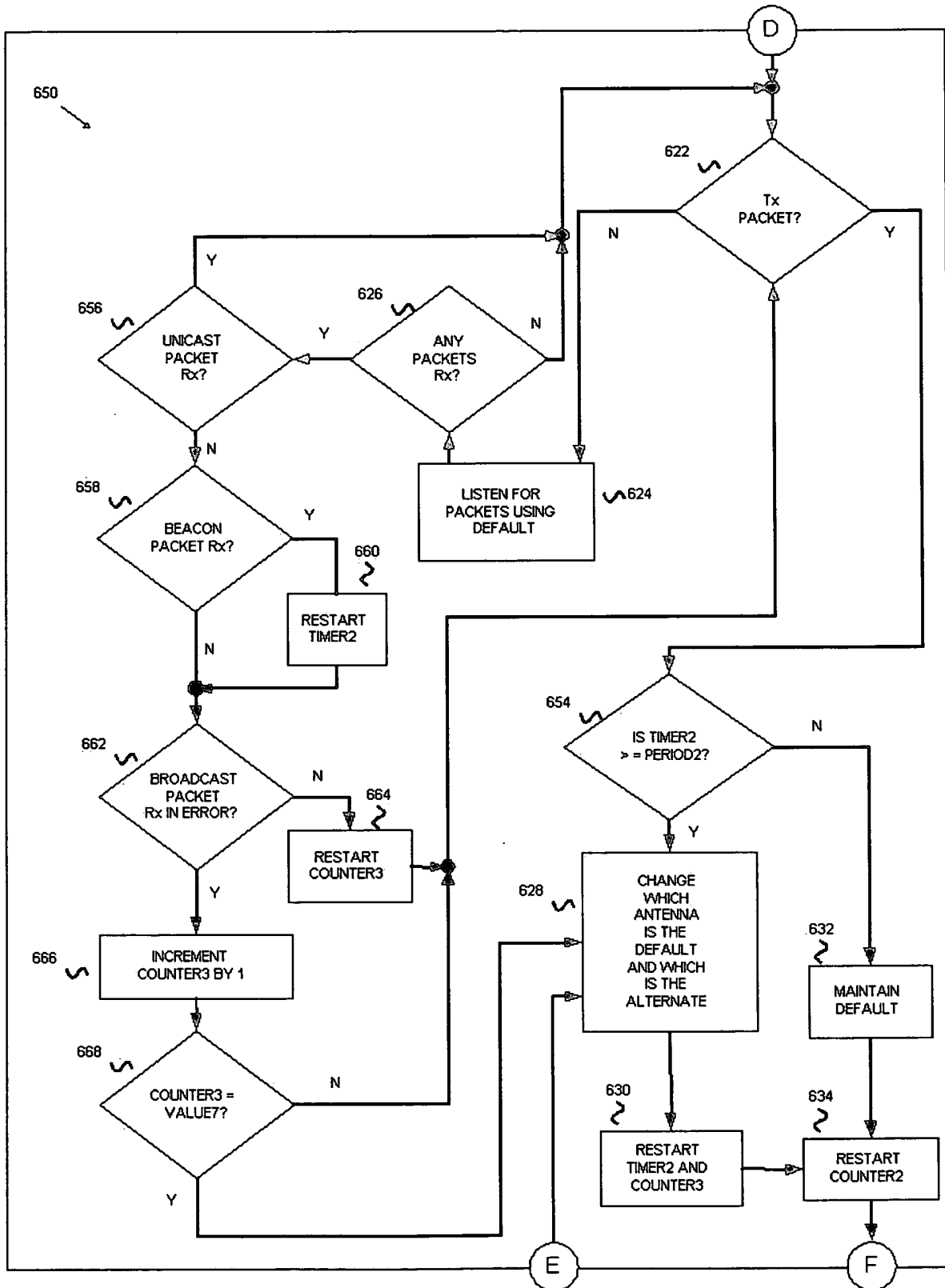


FIG. 7





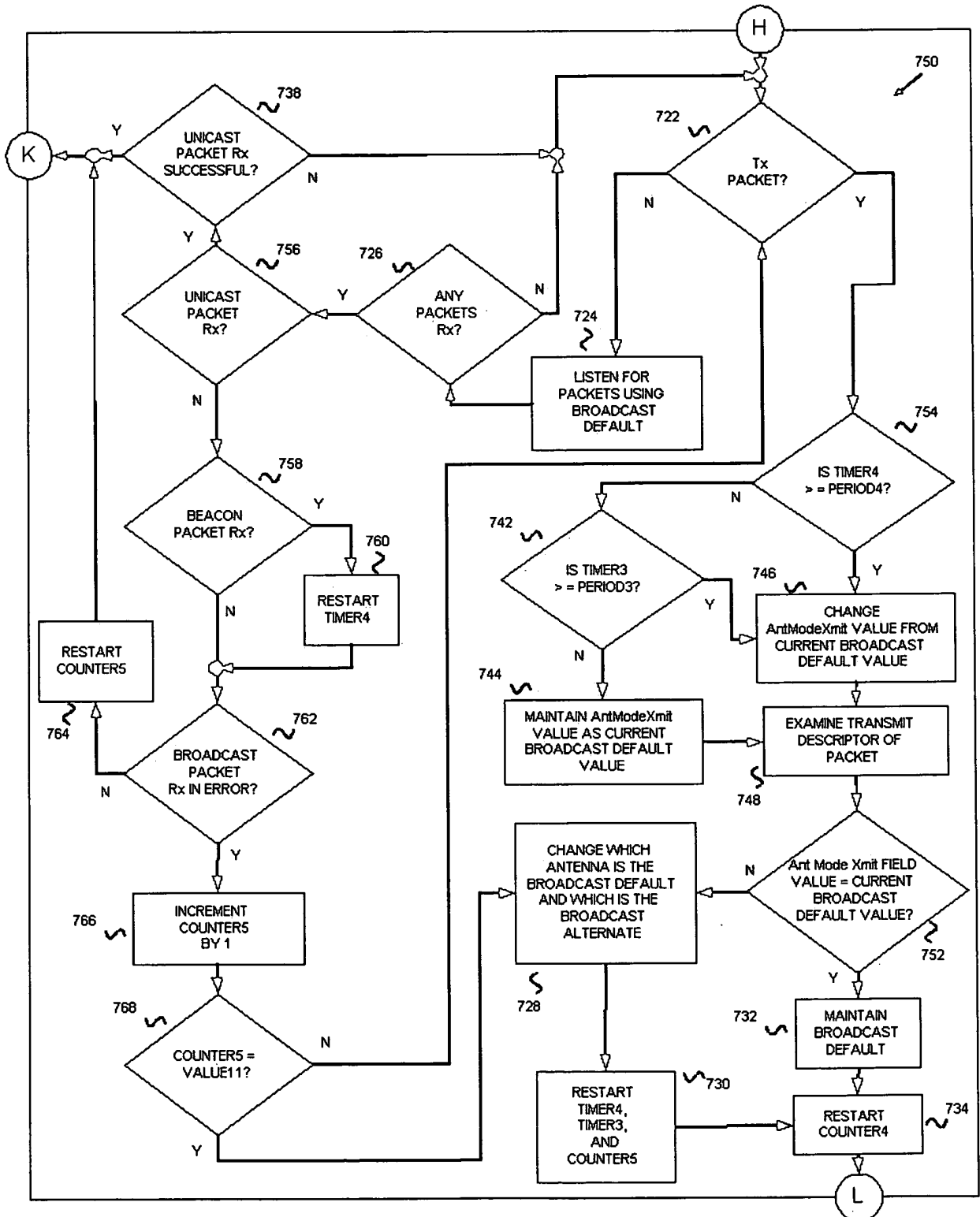


FIG. 9

T06040" 6202E860

FOUO 6222860

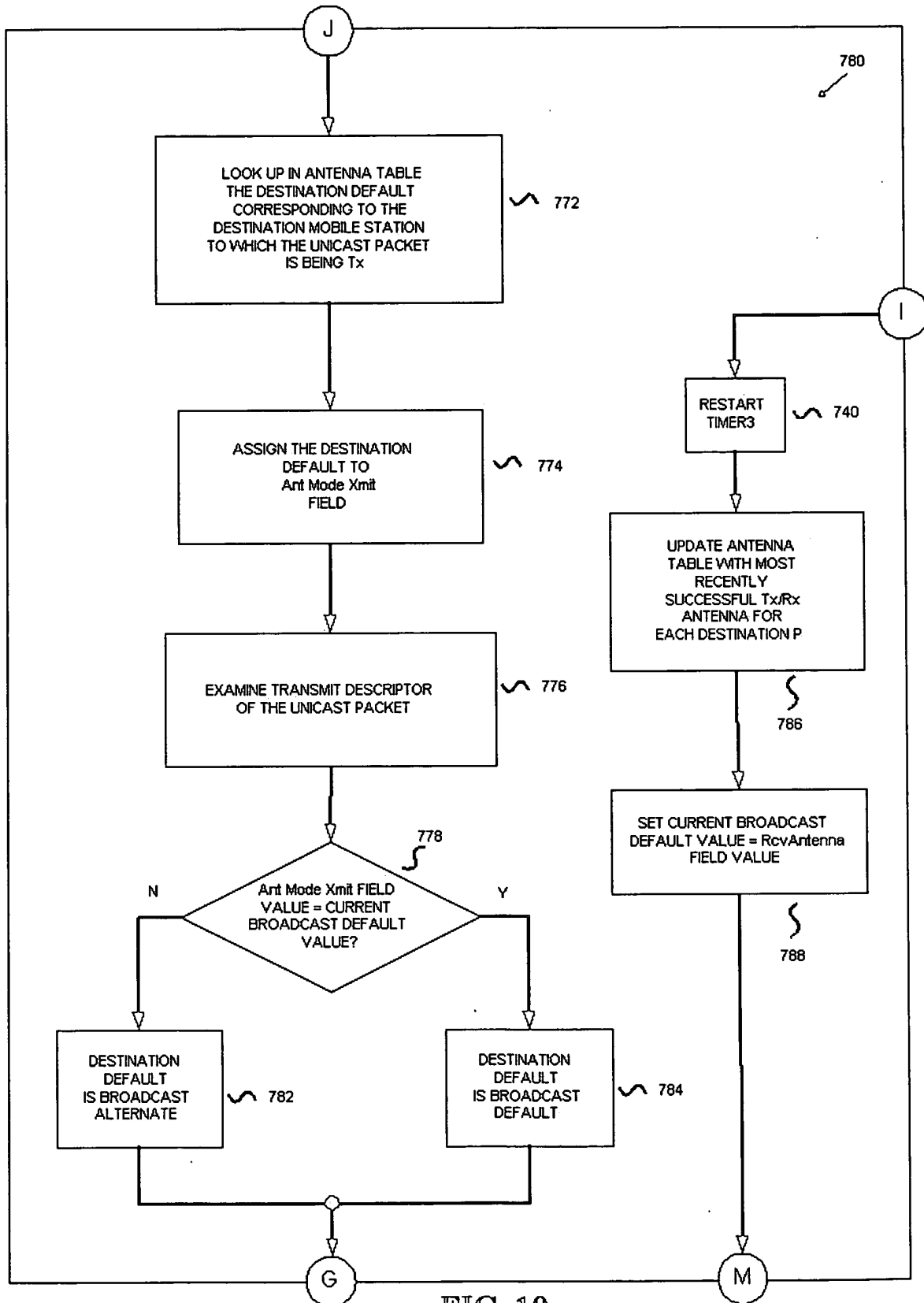


FIG. 10